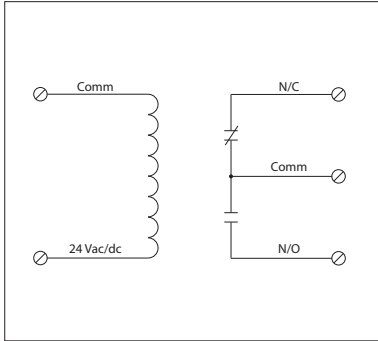


## FIRE ALARM TRACK MOUNT RELAYS

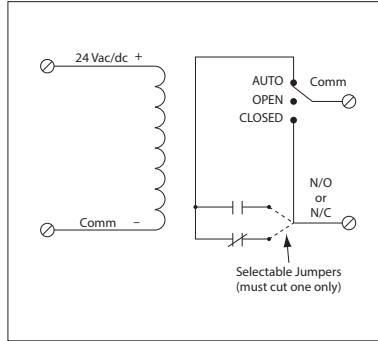
### RIBMN24C-FA

2.75" Track Mount Relay 15 Amp, Polarized with 24 Vac/dc Coil



### RIBMN24S-FA

2.75" Track Mount Relay 15 Amp + **Override**, Polarized with 24 Vac/dc Coil



← Cut for N/O  
← Cut for N/C

RELAYS

## SPECIFICATIONS

- # Relays & Contact Type:** One (1) SPDT Continuous Duty Coil
- Expected Relay Life:** 10 million cycles minimum mechanical
- Operating Temperature:** -30 to 140° F
- Humidity Range:** 5 to 95% (noncondensing)
- Operate Time:** 6ms
- Relay Status:** LED On = Activated
- Dimensions:** 1.100" x 2.750" x 1.750"
- Track Mount:** 2.750", See MT212 Series on page 152  
**MT212 Mounting Track Sold Separately**
- Approvals:** UL Listed, UL916, UL864, C-UL  
California State Fire Marshal
- Gold Flash:** No
- Override Switch:** No (RIBMN24C-FA)  
Yes (RIBMN24S-FA)

- Contact Ratings:**
- 15 Amp General Use @ 125 Vac
- 10 Amp General Use @ 277 Vac
- 10 Amp Resistive @ 30 Vdc (N/O)
- 7 Amp Resistive @ 30 Vdc (N/C)
- 1/2 HP @ 125 Vac
- 1 HP @ 250 Vac
- 1/4 HP @ 277 Vac
- 470 VA Pilot Duty @ 125 Vac
- 770 VA Pilot Duty @ 250 Vac

- Coil Current:**
- 26 mA @ 20 Vac
- 31 mA @ 24 Vac
- 48 mA @ 35 Vac
- 14 mA @ 20 Vdc
- 18 mA @ 24 Vdc
- 28 mA @ 35 Vdc

- Coil Voltage Input:**
- 24 Vac/dc ; 50-60 Hz
- Drop Out = 2 Vac / 2.5 Vdc
- Pull In = 9 Vac / 11 Vdc

- Notes:**
- Must cut appropriate jumper to select Normally Open or Normally Closed (RIBMN24S-FA)